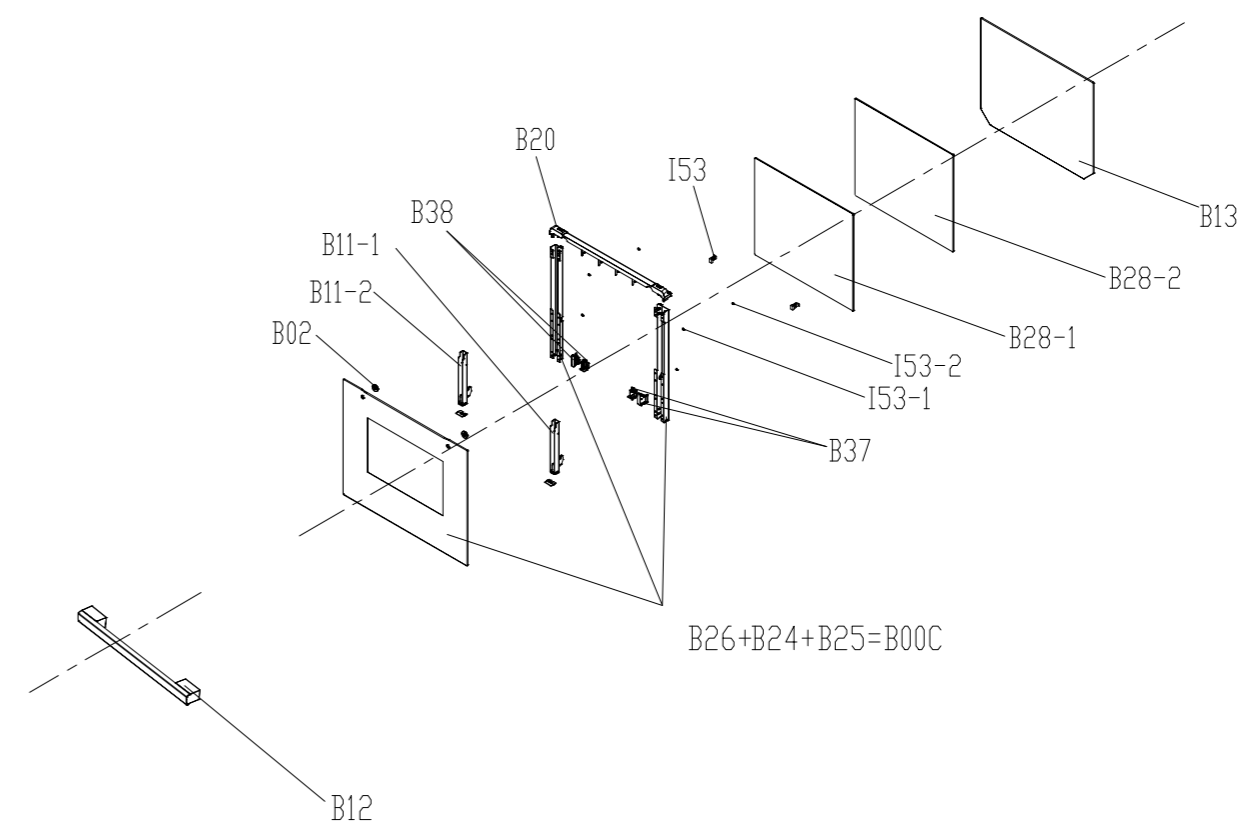
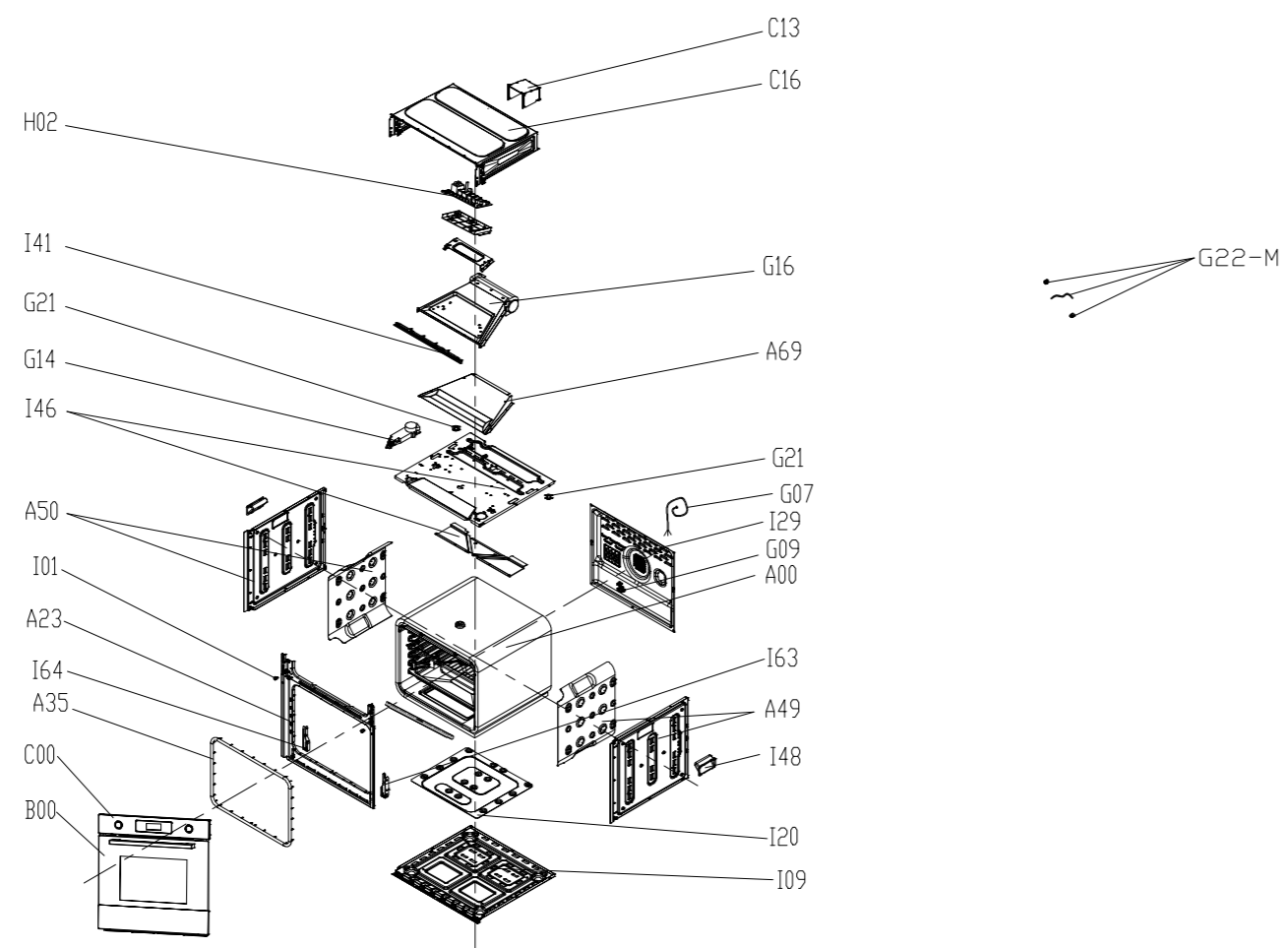
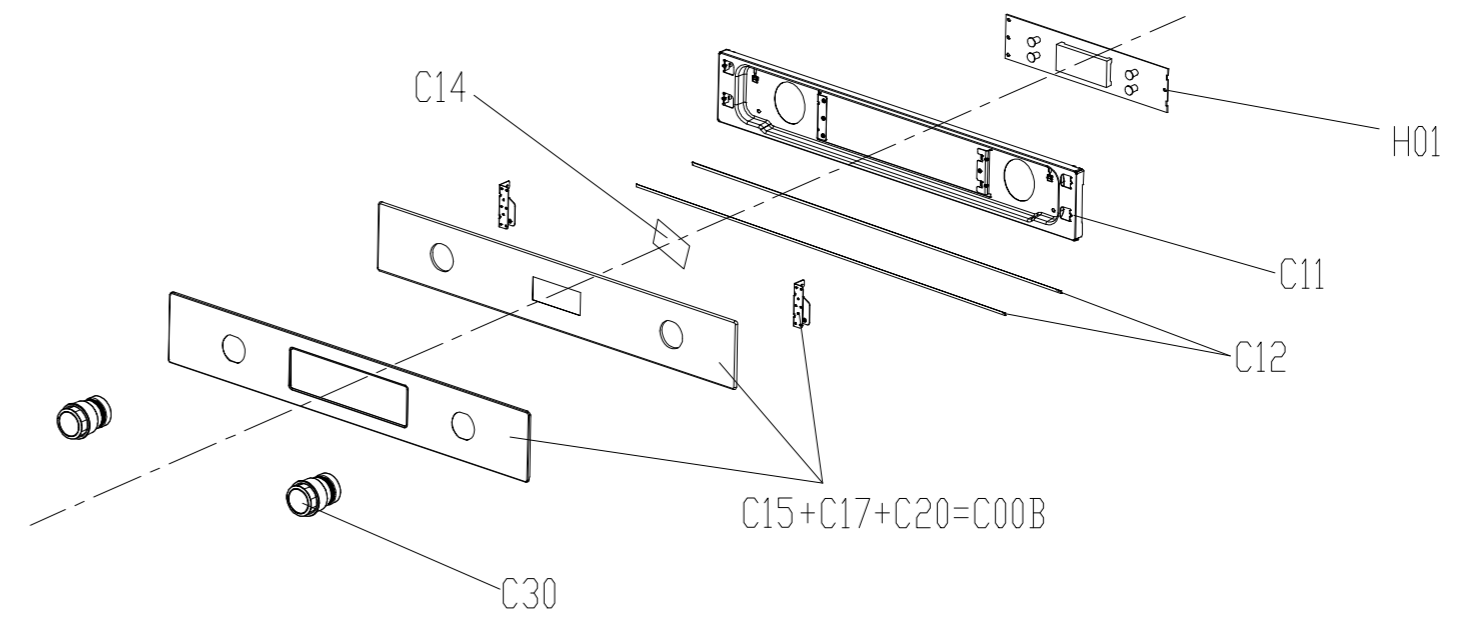
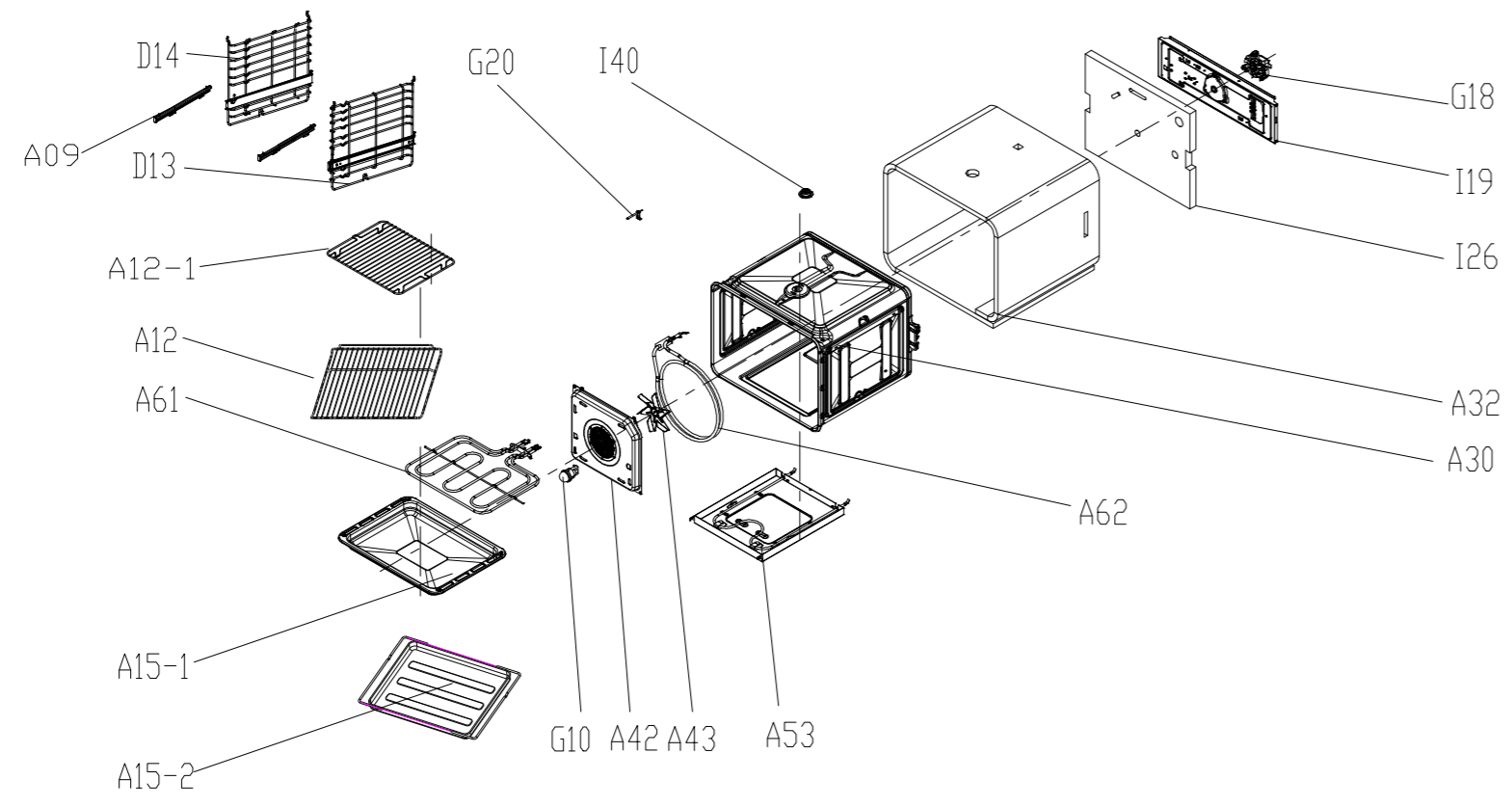


Pyrolitic Oven
Model Number
CLPYBLKEU
Parts manual



Spare Parts List

ID No	Apelson Code	MPN	Description	Qty
I39	AA0000003401	12971100019877	COVER BRACKET	1
H03	AA0000002255	17171100003103	KEY-PRESS BOARD	2
A09	AA0000003402	12971100026371	SLIPPERY ORBIT	1
A12	AA0000003403	12971100019459	BAKE RACK	1
A12-1	AA0000000460	12971100014762	BAKE RACK	1
A15-1	122711000030	12271100003074	GRILL TRAY	1
A15-2	AA0000010340	12971100A96780	COOKING BASKET	1
A23	122711000074	12271100007425	FRONT PLATE	1
A30	AA0000003425	12271100001849	CAVITY	1
A32	AA0000000397	12471100000050	CAVITY INSULATION COTTON	1
A32	AA0000000396	12471100000010	CAVITY INSULATION COTTON	1
A35	AA0000000906	12671100001134	SEALING RING	1
A42	122711000021	12271100002160	CONVECTION MOTOR COVER	1
A43	129711000010	12971100001067	CONVECTION FAN	1
A49	AA0000000393	12271100005347	RIGHT COVER ASSEMBLY	1
A50	122711000053	12271100005348	LEFT COVER ASSEMBLY	1
A53	174711000014	17471100001474	METAL HEATER	1
A61	291200800051	17471100000574	METAL HEATER	1
A62	261201702190	17471100000261	METAL HEATER	1
A69	AA0000000455	12271100005006	AIR GUIDE GROOVE	1
B00	AA0000003426	12971100A96269	DOOR ASSEMBLY	1
B00C	AA0000003427	12971100A97063	DOOR DROP GLUE ASSEMBLY	1
B02	AA0000000956	12171100002694	HANDLE HOLDER	2
B11-1	AA0000003373	12971100020572	DOOR HINGE ASSEMBLY	2
B12	AA0000003413	12971100027530	DOOR HANDLE ASSEMBLY	1
B13	125711000019	12571100001931	GLASS DOOR SCREEN	1
B20	AA0000000399	12171100001197	OTHER PLASTIC PARTS	1
B28-1	AA0000000484	12571100000360	DOOR MIDDLE GLASS	1
B28-2	125711000003	12571100000359	DOOR MIDDLE GLASS	1
B37	AA0000000402	12171100001415	DOOR ROTATING BRACKET	1
B38	121711000014	12171100001414	DOOR ROTATING BRACKET	1
C00	AA0000003428	12971100A96271	CONTROL PANEL ASSEMBLY	1
C00B	AA0000003416	12971100A96767	CONTROL PANEL DROP GLUE ASSEMBLY	1
C11	AA0000003429	12271100007225	CONTROL PANEL HOLDER	1
C12	AA0000000407	12471100000054	SPONGE	2
C13	122711000050	12271100005023	CONTROL PANEL BACK COVER	1

C16	AA0000000038	12271100005021	CONTROL PANEL COVER	1
C30	AA0000003381	12171100006281	KNOB ASSEMBLY	2
D13+D14	AA0000003418	12971100020838	RAIL BRACKET	2
G07	AA0000000456	17471100000137	EUROPEAN STANDARD POWER CORD	1
G09	AA0000001609	17471100004383	TERMINAL BLOCK	1
G10	25108825	17471100002113	INTEGRATED LAMP	1
G14	AA0000001610	17471100003482	DOOR LOCK	1
G16	174711000022	17471100002273	FAN ASSEMBLY	1
G18	AA0000000050	17471100000166	FAN ASSEMBLY	1
G20	AA0000000461	17171100000025	SENSOR ASSEMBLY	1
G21	62101060	17471100002793	THERMOSTAT	2
G22-M	AA0000003430	17471100006728	MAIN WIRE HARNESS	1
H01	AA0000003421	17171100005568	DISPLAY BOARD	1
H02	AA0000003431	17171100007145	POWER BOARD	1
I01	AA0000000041	12971100001049	SCREW PACK ASSEMBLY	1
I09	AA0000000896	12271100010545	BOTTOM COVER	1
I19	AA0000003423	12271100018635	SUPPORT PLATE	1
I20	AA0000003432	12271100020165	LOWER COVER	1
I26	124711000000	12471100000041	BACK INSULATION COTTON	1
I29	122711000052	12271100005233	BACK COVER	1
I40	122711000031	12271100003108	VENT PIPE	1
I41	121711000011	12171100001195	OTHER PLASTIC PARTS	1
I46	AA0000000903	12271100010547	UPPER COVER	1
I48	121711000002	12171100000284	OTHER PLASTIC PARTS	2
I53	AA0000003433	12671100000714	RUBBER GASKET	2
I53-1	AA0000000401	12671100000096	RUBBER GASKET	4
I53-2	AA0000000466	12671100000274	RUBBER GASKET	4
I63	129711000004	12971100000470	HINGE BRACKET	1
I64	129711000005	12971100000534	HINGE BRACKET	1